

# KEYLESS360 ARCHITECTURAL SPECIFICATIONS

## FEATURES

### FRONT VIEW



KEYLESS360 Satin Nickel  
Model: KEYLESS360-SN



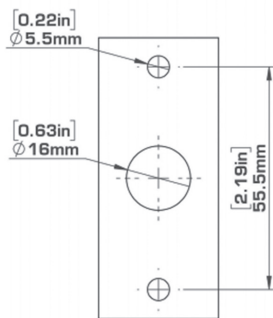
KEYLESS360 Matte Black  
Model: KEYLESS360-MB



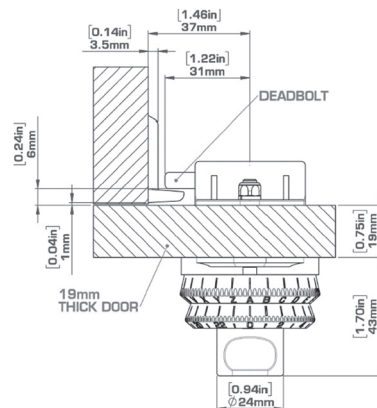
KEYLESS360 Matte White  
Model: KEYLESS360-MW

- Sustainable – no batteries, no wires, no waste, no operating expenses.
- LEED V4 – Keyless locks contribute toward two major new credits.
- Reprogrammable to alternate master keys. Simply insert new manager key to rekey – patented solution.
- Easy keyless operation. Locks with any user selected 2-digit alphanumeric code. No need for code logs.
- 5-year comprehensive warranty.
- Assigned or shared use.
- For use in wet or dry areas.
- Resets from front. Manager access key doesn't alter user code.
- Solid metal design for long-term heavy use/no plastic component.
- Integrated knob/pull.
- Self-correcting knob for maximum security.
- Accommodates doors 1-21mm/0.04" – 0.82" thick.
- Deadbolt offset 31mm/ 1.22".
- Compatible with wood, phenolic, glass and metal lockers.

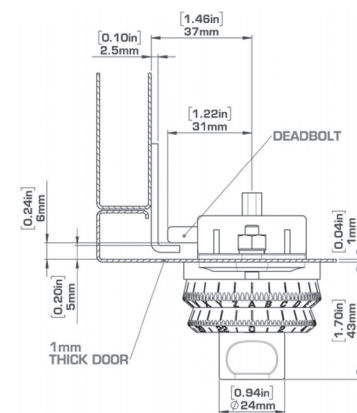
### LOCK ROUTING



### TOP VIEW 6-21 mm thick door



### TOP VIEW 1-6 mm thick door



ADA OPTION AVAILABLE