

KEYLESS360-ADA ARCHITECTURAL SPECIFICATIONS

FEATURES

FRONT VIEW



KEYLESS360 Satin Nickel
Model: KEYLESS360-SN-ADA



KEYLESS360 Matte Black
Model: KEYLESS360-MB-ADA

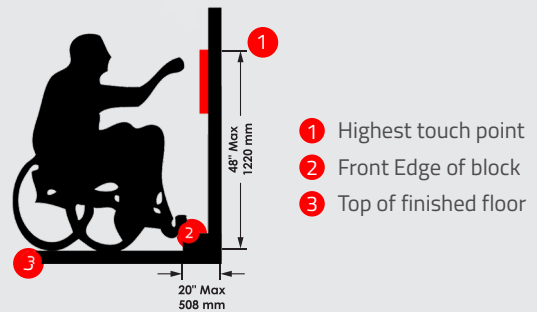


KEYLESS360 Matte White
Model: KEYLESS360-MW-ADA

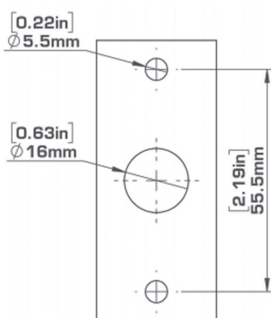
- Meets the 2010 and 2012 ADA Standards for Accessible Design.
- Allows flexibility to use locker as ADA or standard.
- Integrated level serving as a pull.
- Sustainable – no batteries, no wires, no waste, no operating expenses.
- LEED V4 – Keyless locks contribute toward two major new credits.
- Reprogrammable to alternate master keys. Simply insert new manager key to rekey – patented solution.
- Easy keyless operation. Locks with any user selected 2-digit alphanumeric code. No need for code logs.
- 5-year comprehensive warranty.
- Assigned or shared use.
- For use in wet or dry areas.
- Resets from front. Manager access key doesn't alter user code.
- Solid metal design for long-term heavy use/no plastic component.
- Self-correcting knob for maximum security.
- Accommodates doors 1-21mm/0.04" – 0.82" thick.
- Deadbolt offset 31mm/ 1.22".
- Compatible with wood, phenolic, glass and metal lockers.

2010 AND 2012 ADA STANDARDS FOR ACCESSIBLE DESIGN REQUIREMENTS

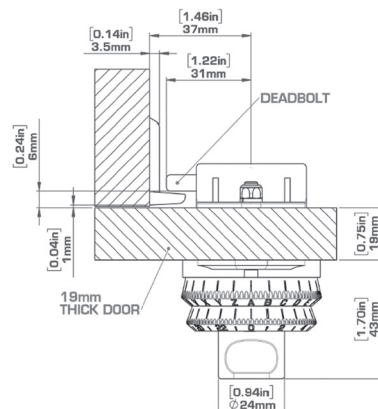
- 5% of lockers and their operable parts, the locks, must meet ADA specifications.
- Locks shall be operable with one hand.
- Shall not require tight grasping, pinching, or twisting of the wrist to operate.
- Shall have a force required to activate of 5lbs (22.2N) maximum.
- Locks shall be installed maximum 48"/ 1220mm from the floor surface.



LOCK ROUTING



TOP VIEW 6-21 mm thick door



TOP VIEW 1-6 mm thick door

