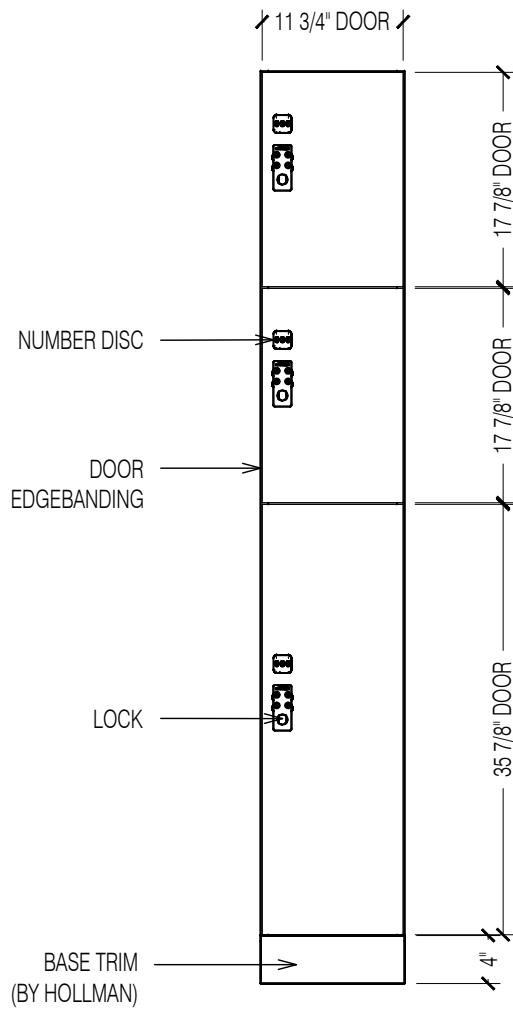
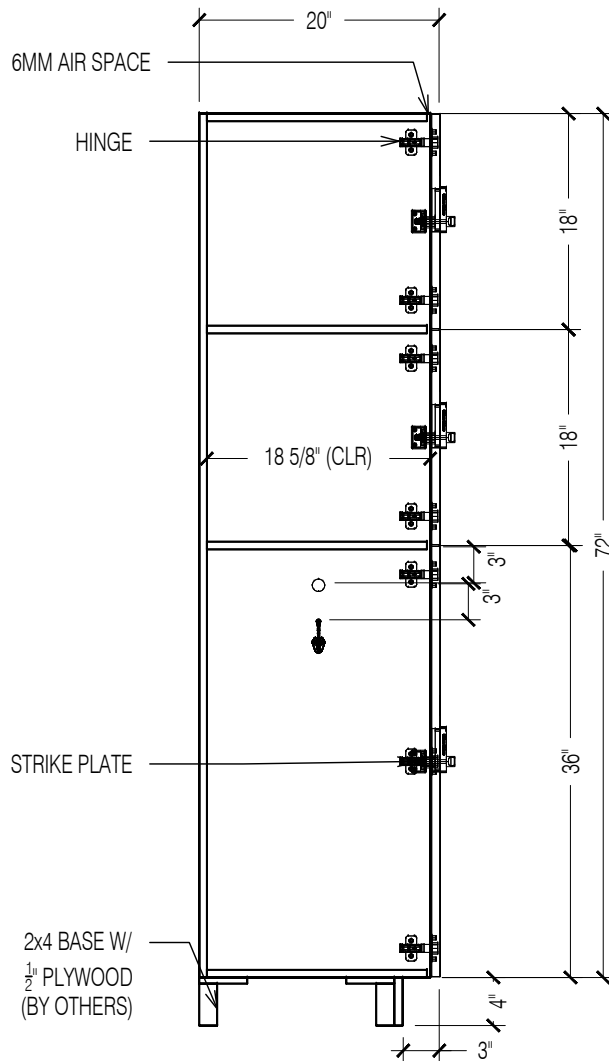


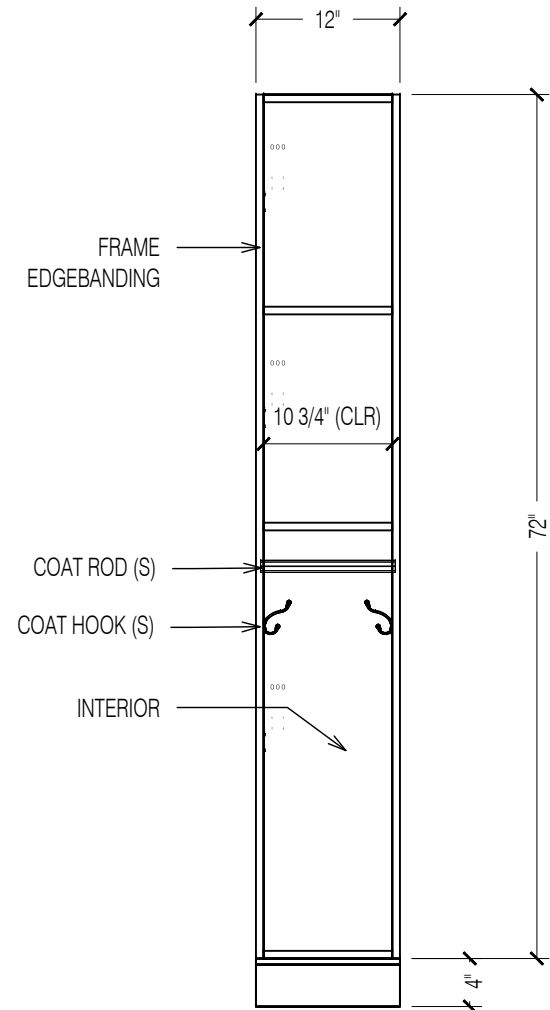
STANDARD SIZE OPTIONS: H = 60"/72"
 W = 12"/15"/18"
 D = 15"/18"/20"



1 FRONT VIEW
 3/4" = 1"



2 SECTION VIEW
 3/4" = 1"



3 OPEN VIEW
 3/4" = 1"

HOLLMAN
SINCE 1976

1825 W. Walnut Hill Lane, Irving TX, 75038
 P: (972)815-4000 F: (972)815-2921
 www.hollman.com

PROJECT TITLE:
 Hollman Inc

SHEET TITLE:

MODEL - HYC

| | |
|---|---|
| 1 | - |
| 2 | - |
| 3 | - |
| 4 | - |
| 5 | - |

| ITEM | DESCRIPTION |
|-------------------|-------------|
| DOOR STYLE: | SLAB DOOR |
| DOOR MAT.-FINISH: | |
| INTERIOR MAT.: | |
| EDGEBAND (frame): | |
| EDGEBAND (door): | |
| LOCK TYPE: | LOCK |
| HARDWARE FINISH: | |

| PRODUCTION USE ONLY | |
|---------------------|----------------|
| LJ #: | |
| LO #: | |
| DATE STARTED | 2/8/2019 |
| LATEST REVISION | 2/8/2019 |
| DRAWN BY: | SHEET |
| RELEASED BY: | 06 |

QTY : XX

This document is the property of Hollman, Inc. and is not to be used without written permission.